



1323 AC

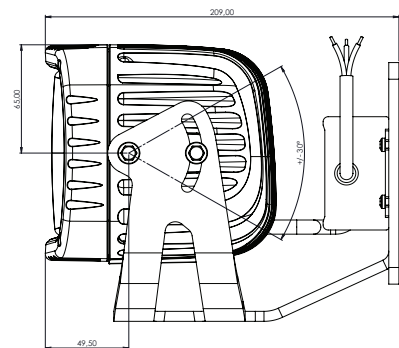
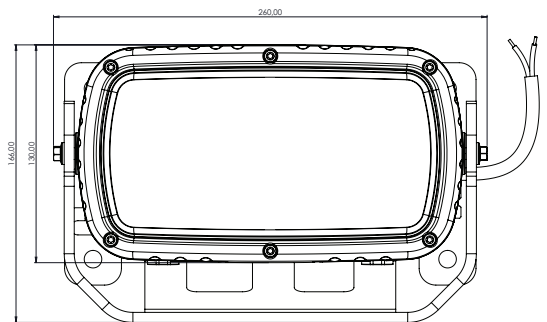
PRODUCT INFORMATION:

The 1323 AC LED is the AC version of the 1323 and is an extremely powerful and bright lighting option, delivering a massive 13500 effective lumen output. The curved design and mounting options of 60 degree trunnion mount ensure this work light is suitable for multiple applications and installation choices. This light is available with a twin bracket for dual mounting, doubling the light output in any working area.



- EMC** EMC TESTED
- IP** IP 69K
- VIBRATION** VIBRATION TESTED
- UL** UL RATED OPTIONAL

Light Pattern: Medium
 Symmetric, Wide Symmetric
 Lens Material: Plastic
 Housing: Cast Aluminium
 60° Trunnion
 Mounting Options: Hanging,
 Standing
 Connector: Flying Leads



LUMEN OUTPUT		Number of LED'S	VOLTAGE		AMP DRAW		Power (Watts)	Colour Temp	CRI	COMPLIANCE / RATING			
Theoretical	Effective		Machine	Operating Range	24 Volts					EMC EN55025 / CISPR25	IP69K	Vibration 5-2000Hz 3 Axis	Salt Spray ASTM B117
16500	13500	12	24	18 32	6.2	150	4000	70	4	•	8 Grms	•*	

* pending