



1010 BluePoint / RedPoint

PRODUCT INFORMATION:

TYRI developed the BluePoint and RedPoint LED to increase safety and minimise the risk of accidents around machinery. The LED light projects a coloured, concentrated light beam as a large, visible square on the floor in front or behind the machine. This early warning signal alerts workers that there is a machine approaching. As an industry leading concept, it allows safety to be visual instead of relying solely on sirens and alarms, especially in noisy environments where hearing is difficult. The light is available in blue, red and amber (yellow) colour options.



-  EMC TESTED
-  IP 69K
-  VIBRATION TESTED
-  SALT SPRAY TESTED
-  UL RATED OPTIONAL

Operating Temp: -40° to 75°C

Light Pattern: Spot

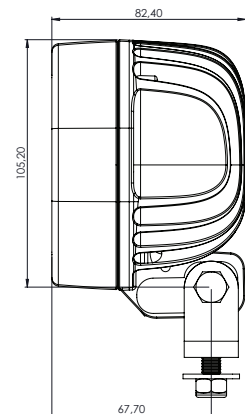
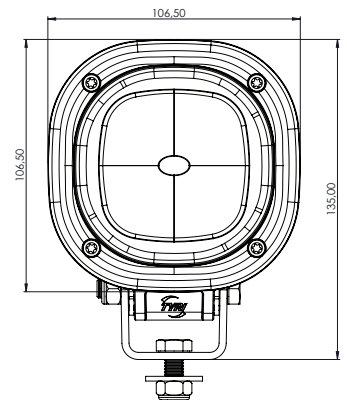
Lens Material: Plastic

Housing: Cast Aluminium

Dampened

Mounting Options: Hanging,
Standing, Side, Flush

Connector:
Deutsch (DT04-2P) built in



	LUMEN OUTPUT		Number of LED'S	VOLTAGE		AMP DRAW		Power (Watts)	Dominant Wavelength Typical - nm	COMPLIANCE / RATING				
	Theoretical	Effective		Machine	Operating Range	12 Volts	24 Volts			EMC EN55025 / CISPR25	IP69K	Vibration 5-2000Hz 3 Axis	Salt Spray ASTM B117	UL Rated Optional
BLUE	300	248	4	12-48	9 60	1.2	0.6	15	470	5	•	10 Grms	•	•
RED	300	248	4	12-48	9 60	1.2	0.4	15	630	5	•	10 Grms	•	•